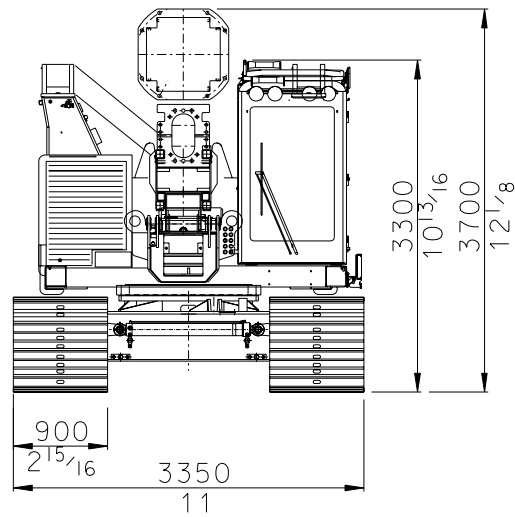
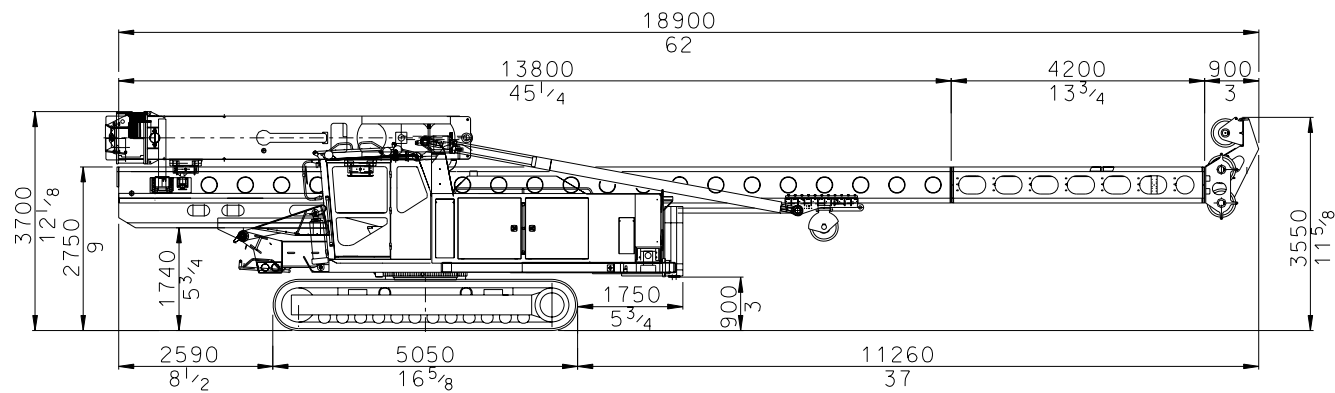


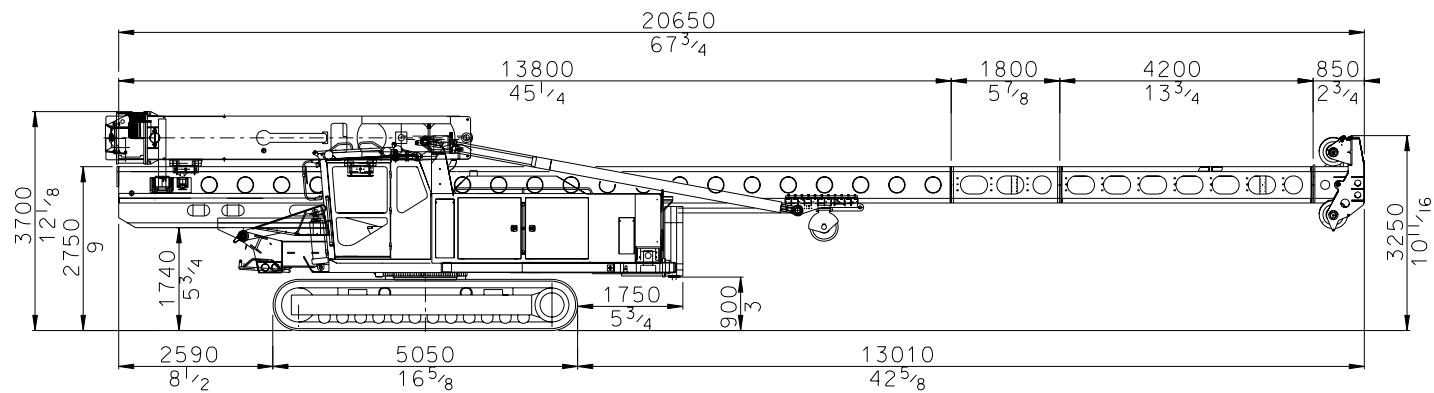
PM 20LC Pile Driving Rig



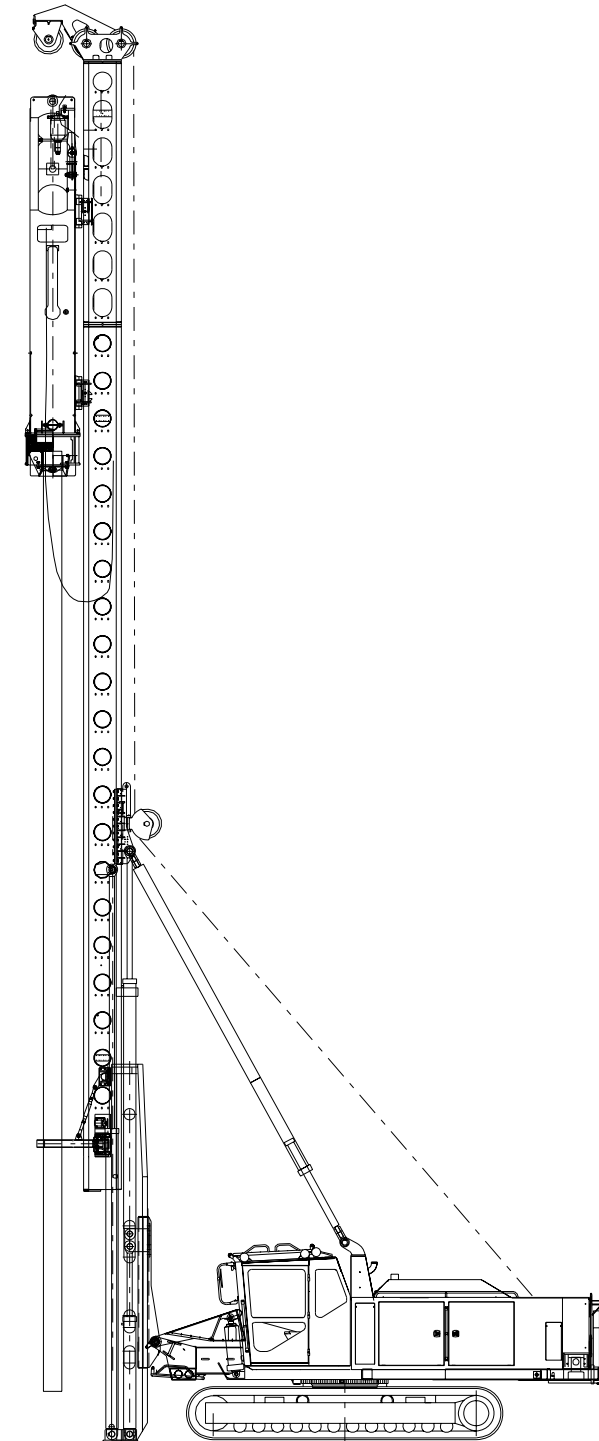
Minimum track width.



Standard PM 20LC transport dimensions with HHK 5A hammer.



PM 20LC transport dimensions with leader extension and HHK 5A hammer.

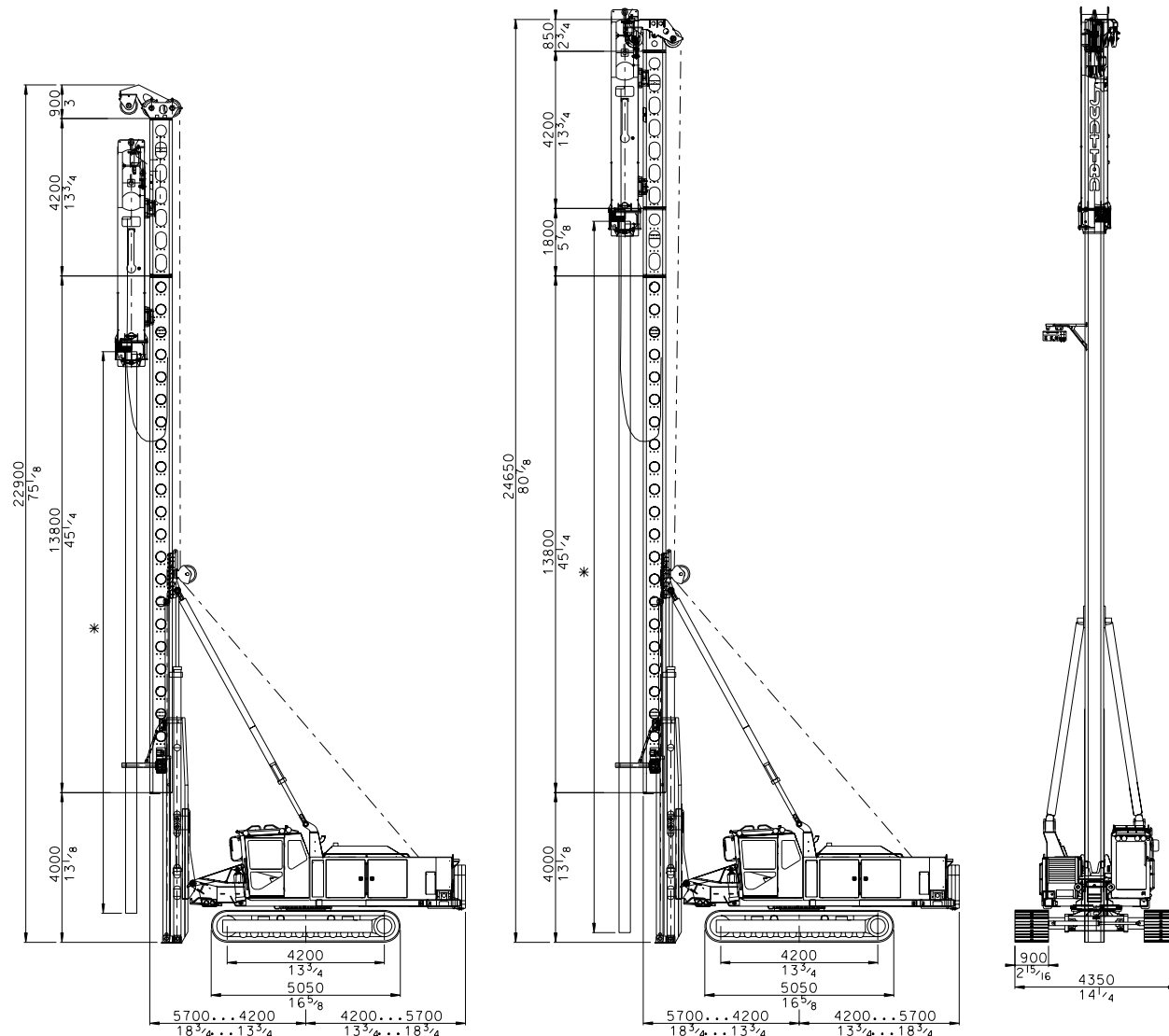


Junttan Oy reserves the right to amend the specification without prior notice. Error and misprints reserved. 26 February 2008 - version M120LC002.

General Information

Junttan PM 20LC is a compact piling rig for pile driving timber, steel and concrete piles. It has a bigger maximum capacity for pile and hammer load and a wider leader reach than its smaller brother PM 20L. The recommended hammer weight is from 4 000 to 5 000 kg and the maximum pile length is 19 meters (62 ft). The rig has proven productivity due to excellent mobility. The telescopic leader ensures easy and fast handling of piles. Top pile driving performance is guaranteed with Junttan hydraulic hammers. An optional side drill or vibrator hammer makes pile driving even more efficient in some soil conditions. Versatility of the rig can be increased with additional drilling equipment. With optional Junttan equipment, optimised working set-up of the rig can be easily achieved.

This Junttan piling rig has the same proven features as the bigger Junttan machines. Its rugged design makes it a safe and reliable rig even in the most demanding working conditions. The self-erecting leader and many advanced technical features ensure that the rig is ready to work in just a few minutes. The ergonomic and safety tested cabin allows the driver to concentrate completely on his work. The expandable tracks and low centre of gravity make the rig exceptionally stable in different working situations. The horizontal movement of the leader ensures fast spotting of the pile. Because of the compact size the rig can be easily transported to a new working site.



Standard PM 20LC with top cathead

PM 20LC with leader extension and side cathead

* Pile length depends on the hammer. See the table of hydraulic hammers beside.

Technical Data

Leader				
Type	KE 209501			
Length	Leader sections	m (ft)	13.8+4.2	(45 1/4 + 13 3/4)
	Total Length	m (ft)	22.9	(75 1/8)
Maximum capacity (pile+hammer)		kg (lb)	16 000	(35 200)
Movements	Vertical movement up/down	mm (inch)	1000/500	(40/20)
	Horizontal movement max.	mm (inch)	1500	(59)
	Inclinations	According to a separate capacity table		
Others	Hydraulic pile arms on leader Electronic leader inclinometer			

Uppercarriage				
Winches	(single line pull, 1. layer)			
	Main winch (hammer)	kg (lb)	10 000	(22 000)
	Aux. winch (pile)	kg (lb)	10 000	(22 000)
Engine	Make and Model Cummins QSB6.7			
	Power	kW (hp)	179	(240)
	Fuel tank volume	l (gal)	600	(158)
Hydraulics	Hydraulic oil tank volume	l (gal)	600	(158)
	Max. oil flow	l/min	2x 160 + 86 at 2000 rpm	
		(gpm)	(2x 42 + 23 at 2000 rpm)	
	Max. pressure	bar (psi)	320	(4640)
Counterweight	Weight	kg (lb)	6 200	(13 670)

Undercarriage				
Type	AV 20LC9201			
Crawler length	mm (ft)	5050	(16 5/8)	
Min. width	mm (ft)	3350	(11)	
Max. width	mm (ft)	4350	(14 1/4)	
Triple grouser type track shoes	mm (ft)	900	(2 15/16)	

Transport dimensions				
Length	m (ft)	18.9	(62)	
Width	mm (ft)	3350	(11)	
Height without hammer	mm (ft)	3550	(11 5/8)	
Height with hammer	mm (ft)	3700	(12 1/8)	
Total weight	kg (lb)	44 000	(97 000)	
(excluding hammer, counterweight and any additional equipment)				

Optional equipment				
• Leader hinge	• Aux. II winch 5 000 kg (11 000 lb)			
• Leader extension 1.8 m (5 7/8 ft)	• Energy measuring device			
• Side cathead	• Flat track shoes			
• Side drill (JD 1.5 or JD 3)	• Narrow track shoes 800 mm (2 5/8 ft)			
• Stabilizers (rear legs)	• Wide VLC-crawler 3.1-4.5 m (10 3/16-14 3/4 ft)			
• Air conditioning for cabin	• Other accessories available on request			
• Vibrator				

Approvals				
Manufactured according to EN 996 standard				

Hydraulic hammer examples for Junttan PM 20LC					
Model		HHK 4A	HHK 4S	HHK 5A	HHK 5S
Max. energy	kNm (ft-lb)	47 (34 780)	59 (43 600)	59 (43 600)	74 (54 600)
Stroke	m (ft)	0.05-1.2 (3/16-3 15/16)	0.05-1.5 (3/16-4 15/16)	0.05-1.2 (3/16-3 15/16)	0.05-1.5 (3/16-4 15/16)
Blows (adjustable)	per min	40-100	40-100	40-100	40-100
Ram weight	kg (lb)	4 000 (8 820)	4 000 (8 820)	5 000 (11 020)	5 000 (11 020)
Total weight including drive cap	kg (lb)	7 500 (16 530)	7 900 (17 400)	8 600 (18 960)	9 000 (19 840)
Pile length without leader extension	m (ft)	15 (49)	15 (49)	15 (49)	14 (46)
Pile length with leader extension	m (ft)	19 (62)	19 (62)	19 (62)	18 (59)